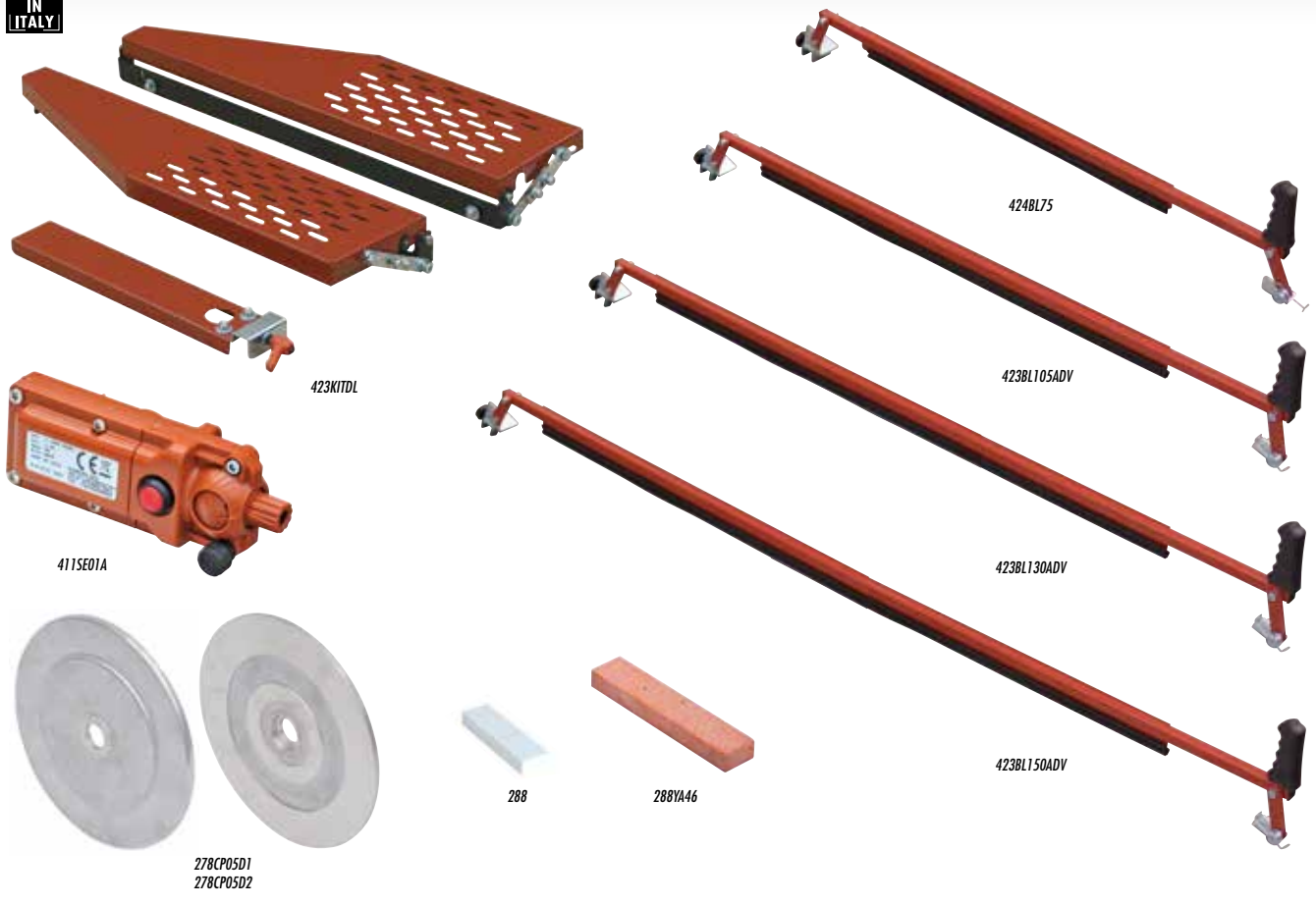


**ACCESSORIES FOR BRIDGE SAW MACHINES**

**MADE IN ITALY**

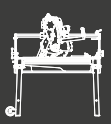


Part No.			Description			
<b>423KITDL</b>	8024648010476	1	Optional kit: folding extension tables and 90° left square	71x22xh 10 cm	28" x8 5/8" xh 4"	5 Kg 11 lbs
<b>424BL75</b>	8024648006622	1	Tile holder for Pikus 75	89x24xh 20 cm	35" x9 1/2" xh 7 7/8"	1,8 Kg 4 lbs
<b>423BL105ADV</b>	8024648056757	1	Tile holder for Pikus 105 ADV, SMS 100, Zoe 105 ADV	117x24xh 20 cm	46" x9 1/2" xh 7 7/8"	2,6 Kg 5.7 lbs
<b>423BL130ADV</b>	8024648066459	1	Tile holder for Pikus 130 ADV, SMS 125, Zoe 130 ADV	153x24xh 20 cm	60" x9 1/2" xh 7 7/8"	3 Kg 6.6 lbs
<b>423BL150ADV</b>	8024648071187	1	Tile holder for SMS150 e Zoe 150 ADV	178x24xh 20 cm	70" x9 1/2" xh 7 7/8"	3,5 Kg 7.7 lbs
<b>411SE01A</b>	8024648065254	1	Laser without stirrup	-	-	- -
<b>411SE A1</b>	8024648070906	1	Laser with stirrup for ZOE Adv	-	-	- -
<b>411SE A2</b>	8024648070913	1	Laser with stirrup for Pikus Adv	-	-	- -
<b>411SE A4</b>	8024648070937	1	Laser with stirrup for SMS100, 125 and 150	-	-	- -
<b>411SE A9</b>	8024648005663	1	Laser with stirrup for SMS220 and SMS260	-	-	- -
<b>288</b>	8024648004178	1	Dressing stone 30 x100xh 15 mm (1 3/16" x 4" xh 5/8")	-	-	- -
<b>288YA46</b>	8024648079619	1	Dressing stone 45x230xh 25 mm (1 3/4" x9 1/16" xh 1")	-	-	- -
<b>278CP05D1</b>	8024648079060	2	Flanges (pair) Ø 200 mm (8") for Zoe ADV	-	-	- -
<b>278CP05D2</b>	8024648079077	2	Flanges (pair) Ø 200 mm (8") for SMS and Mistral	-	-	- -

Part No.	EXPLOIT			BOLT			MISTRAL			PIKUS				PIKUS ADV				SMS				ZOE ADV				SA	SA	SHERPA
	70	90	120	90	120	150	90	120	150	75	85	105	130	100	125	150	220	260	85	105	130	150	80	09				
<b>423KITDL</b>	-	-	-	-	-	-	-	-	-	-	•	•	•	•	•	•	•	•	•	•	•	•	-	-	-			
<b>424BL75</b>	-	-	-	-	-	-	-	-	-	-	•	•	•	•	•	•	•	•	•	•	•	•	-	-	-			
<b>423BL105ADV</b>	-	-	-	-	-	-	-	-	-	-	-	•	•	•	•	•	•	•	•	•	•	•	-	-	-			
<b>423BL130ADV</b>	-	-	-	-	-	-	-	-	-	-	-	-	•	•	•	•	•	•	•	•	•	•	-	-	-			
<b>423BL150ADV</b>	-	-	-	-	-	-	-	-	-	-	-	-	-	•	•	•	•	•	•	•	•	•	-	-	-			
<b>411SE01A</b>	-	-	-	-	-	-	-	-	-	-	-	-	-	-	-	-	-	-	-	-	-	-	-	-	-			
<b>411SE A1</b>	-	-	-	-	-	-	-	-	-	-	-	-	-	-	-	-	-	-	-	•	•	•	•	-	-			
<b>411SE A2</b>	-	-	-	-	-	-	-	-	-	-	-	-	-	-	-	-	-	-	-	•	•	•	•	-	-			
<b>411SE A4</b>	-	-	-	-	-	-	-	-	-	-	-	-	-	-	-	-	-	-	-	•	•	•	•	-	-			
<b>411SE A9</b>	-	-	-	-	-	-	-	-	-	-	-	-	-	-	-	-	-	-	-	•	•	•	•	-	-			
<b>288</b>	•	•	•	•	•	•	•	•	•	•	•	•	•	•	•	•	•	•	•	•	•	•	•	•	•			
<b>288YA46</b>	•	•	•	•	•	•	•	•	•	•	•	•	•	•	•	•	•	•	•	•	•	•	•	•	•			
<b>278CP05D1</b>	-	-	-	-	-	-	-	-	-	-	-	-	-	-	-	-	-	-	-	-	•	•	•	•				
<b>278CP05D2</b>	-	-	-	-	-	-	-	-	-	-	-	-	-	-	-	-	-	-	-	-	-	•	•	•				







# SIDE BENCH WITH ADJUSTABLE SQUARE AND WATER CONTAINMENT BARS FOR PIKUS, ZOE AND SMS

**MADE IN ITALY**



- The side bench with adjustable square allow to have a perfect parallelism between the tile edge and the cutting line: this is extremely useful while performing either jolly/45° cut or 90° straight cut. Thanks to this accessory wet saws Pikus, Zoe and SMS become suitable for cutting jolly/45° on slabs having significant overall length (up to 200 cm).
- The two water containment bars with nylon brushes allows to reduce any leakage during the cut, making sure all water goes into machine tank.

Part No.			Description		
<b>374BSQ 130</b>	8024648099068	1	Side bench with adjustable square for Pikus 130 Adv, SMS 125 and Zoe 130 Adv	-	-
<b>374BSQ 150</b>	8024648099075	1	Side bench with adjustable square for SMS 150 and Zoe 150 Adv	-	-
<b>374BSQ 220</b>	8024648099082	1	Side bench with adjustable square for SMS 220	-	-
<b>374BSQ 260</b>	8050532001718	1	Side bench with adjustable square for SMS 260	-	-
<b>263PE04A085</b>	8024648019585	1	Water containment bars with nylon brushes for Pikus 85 Adv and Zoe 85 Adv – pair	120xØ 12,5 cm	47 1/4"xØ 5"
<b>263PE04A105</b>	8024648019592	1	Water containment bars with nylon brushes for Pikus 105 Adv, SMS 100 and Zoe 105 Adv – pair	120xØ 12,5 cm	47 1/4"xØ 5"
<b>263PE04A130</b>	8024648022233	1	Water containment bars with nylon brushes for Pikus 130 Adv, SMS 125 and Zoe 130 Adv – pair	165xØ 12,5 cm	65"xØ 5"
<b>263PE04A150</b>	8024648022851	1	Water containment bars with nylon brushes for SMS 150 and Zoe 150 Adv – pair	165xØ 12,5 cm	65"xØ 5"
<b>263PE04A200</b>	8024648026507	1	Water containment bars with nylon brushes for SMS 220 – pair	200xØ 12,5 cm	79"xØ 5"
<b>263PE04A260</b>	8050532001824	1	Water containment bars with nylon brushes for SMS 260 – pair	285xØ 12,5 cm	112"xØ 5"

Part No.	EXPLOIT			BOLT			MISTRAL			PIKUS				PIKUS ADV				SMS				ZOE ADV				SA	SA	SHERPA
	70	90	120	90	120	150	90	120	150	75	85	105	130	100	125	150	220	260	85	105	130	150	80	09				
<b>374BSQ 130</b>	-	-	-	-	-	-	-	-	-	-	-	-	•	-	•	-	-	-	-	-	-	•	-	-	-	-		
<b>374BSQ 150</b>	-	-	-	-	-	-	-	-	-	-	-	-	-	-	-	•	-	-	-	-	-	-	•	-	-	-		
<b>374BSQ 220</b>	-	-	-	-	-	-	-	-	-	-	-	-	-	-	-	-	•	-	-	-	-	-	-	-	-	-		
<b>374BSQ 260</b>	-	-	-	-	-	-	-	-	-	-	-	-	-	-	-	-	-	•	-	-	-	-	-	-	-	-		
<b>263PE04A085</b>	-	-	-	-	-	-	-	-	-	-	-	-	•	-	-	-	-	-	-	•	-	-	-	-	-	-		
<b>263PE04A105</b>	-	-	-	-	-	-	-	-	-	-	-	-	•	-	•	-	-	-	-	•	-	-	-	-	-	-		
<b>263PE04A130</b>	-	-	-	-	-	-	-	-	-	-	-	-	-	-	-	•	-	-	-	-	-	•	-	-	-	-		
<b>263PE04A150</b>	-	-	-	-	-	-	-	-	-	-	-	-	-	-	-	•	-	-	-	-	-	-	•	-	-	-		
<b>263PE04A200</b>	-	-	-	-	-	-	-	-	-	-	-	-	-	-	-	-	•	-	-	-	-	-	-	-	-	-		
<b>263PE04A260</b>	-	-	-	-	-	-	-	-	-	-	-	-	-	-	-	-	-	•	-	-	-	-	-	-	-	-		





MADE IN ITALY

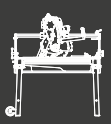
BRIDGE AND JOB SITE SAW MACHINES



Part No.			Description
<b>419AVBO=120</b>	8024648090331	1	Wheel kit feed for Bolt 120
<b>419AVBO=150</b>	8024648090348	1	Wheel kit feed for Bolt 150
<b>419AVMS=120</b>	8024648090355	1	Wheel kit feed for Mistral 120/SMS 125
<b>419AVMS=150</b>	8024648090362	1	Wheel kit feed for Mistral 150
<b>419AVMS=155</b>	8024648022714	1	Wheel kit feed for SMS 150
<b>419AVPK 085</b>	8024648091543	1	Wheel kit feed for Pikus 85 Adv
<b>419AVPK 105</b>	8024648091550	1	Wheel kit feed for Pikus 105 Adv
<b>419AVPK 130</b>	8024648092755	1	Wheel kit feed for Pikus 130 Adv
<b>419AVZO 085</b>	8024648093233	1	Wheel kit feed for Zoe 85 Adv
<b>419AVZO 105</b>	8024648093240	1	Wheel kit feed for Zoe 105 Adv
<b>419AVZO 130</b>	8024648093257	1	Wheel kit feed for Zoe 130 Adv
<b>419AVZO 150</b>	8024648093264	1	Wheel kit feed for Zoe 150 Adv

Part No.	EXPLOIT			BOLT		MISTRAL			PIKUS			PIKUS ADV			SMS				ZOE ADV				SA	SA	SHERPA
	70	90	120	90	120	90	120	150	75	85	105	130	100	125	150	220	260	85	105	130	150	80	09		
<b>419AVBO=120</b>	-	-	-	•	-	-	-	-	-	-	-	-	-	-	-	-	-	-	-	-	-	-	-	-	
<b>419AVBO=150</b>	-	-	-	-	•	-	-	-	-	-	-	-	-	-	-	-	-	-	-	-	-	-	-	-	
<b>419AVMS=120</b>	-	-	-	-	-	•	-	-	-	-	-	-	-	•	-	-	-	-	-	-	-	-	-	-	
<b>419AVMS=150</b>	-	-	-	-	-	-	•	-	-	-	-	-	-	-	-	-	-	-	-	-	-	-	-	-	
<b>419AVMS=155</b>	-	-	-	-	-	-	-	-	-	-	-	-	-	-	•	-	-	-	-	-	-	-	-	-	
<b>419AVPK 085</b>	-	-	-	-	-	-	-	-	•	-	-	-	-	-	-	-	-	-	-	-	-	-	-	-	
<b>419AVPK 105</b>	-	-	-	-	-	-	-	-	-	•	-	-	-	-	-	-	-	-	-	-	-	-	-	-	
<b>419AVPK 130</b>	-	-	-	-	-	-	-	-	-	-	•	-	-	-	-	-	-	-	-	-	-	-	-	-	
<b>419AVZO 085</b>	-	-	-	-	-	-	-	-	-	-	-	-	-	-	-	-	-	•	-	-	-	-	-	-	
<b>419AVZO 105</b>	-	-	-	-	-	-	-	-	-	-	-	-	-	-	-	-	-	-	•	-	-	-	-	-	
<b>419AVZO 130</b>	-	-	-	-	-	-	-	-	-	-	-	-	-	-	-	-	-	-	-	•	-	-	-	-	
<b>419AVZO 150</b>	-	-	-	-	-	-	-	-	-	-	-	-	-	-	-	-	-	-	-	-	•	-	-	-	





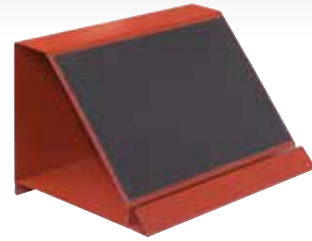
BRIDGE AND JOB SITE SAW MACHINES

# ACCESSORIES FOR TROLLEY MACHINES

**MADE IN ITALY**



192SQ24A



218DJ



191CLO5A



288



288YA46



154SE17CP



411SE01A

Part No.			Description				
<b>192SQ24A</b>	8024648005656	1	Adjustable square 0/45°/90° for SA80, SA09, SHERPA	40x17xh 8 cm	16"x6 3/4"xh 3 1/8"	1,5 Kg	3.3 lbs
<b>218DJ</b>	8024648009777	1	Jolly device for SA09	71x23xh 11 cm	28"x9"xh 4"	4,4 Kg	9.7 lbs
<b>154SE17CP</b>	8024648066480	1	Handles for SA09	40x28xh 18 cm	15 3/4"x11"xh 7"	6 Kg	13 lbs
<b>191CLO5A</b>	8024648058003	1	Side square for SA80	68x66xh 10 cm	27"x26"xh 4"	4,5 Kg	9.9 lbs
<b>411SE01A</b>	8024648065254	1	Laser without stirrup	-	-	-	-
<b>411SE A4</b>	8024648070937	1	Laser with stirrup for SMS and SA80	-	-	-	-
<b>411SE A3</b>	8024648070920	1	Laser with stirrup for Sherpa	-	-	-	-
<b>288</b>	8024648004178	1	Dressing stone 30 x100xh 15 mm (1 3/16"x 4"xh 5/8")	-	-	-	-
<b>288YA46</b>	8024648079619	1	Dressing stone 45x230xh 25 mm (1 3/4"x9 1/16"xh 1")	-	-	-	-

Part No.	EXPLOIT			BOLT			MISTRAL			PIKUS	PIKUS ADV			SMS				ZOE ADV				SA	SA	SHERPA	
	70	90	120	90	120	150	90	120	150	75	85	105	130	100	125	150	220	260	85	105	130	150	80		09
<b>192SQ24A</b>	-	-	-	-	-	-	-	-	-	-	-	-	-	-	-	-	-	-	-	-	-	-	•	•	•
<b>218DJ</b>	-	-	-	-	-	-	-	-	-	-	-	-	-	-	-	-	-	-	-	-	-	-	-	•	-
<b>154SE17CP</b>	-	-	-	-	-	-	-	-	-	-	-	-	-	-	-	-	-	-	-	-	-	-	•	•	•
<b>191CLO5A</b>	-	-	-	-	-	-	-	-	-	-	•	•	•	•	•	•	•	•	•	•	•	•	•	•	-
<b>411SE01A</b>	-	-	-	-	-	-	-	-	-	-	-	-	-	-	-	-	-	-	-	-	-	-	-	-	-
<b>411SE A4</b>	-	-	-	-	-	-	-	-	-	-	-	-	-	•	•	•	-	-	-	-	-	-	-	•	-
<b>411SE A3</b>	-	-	-	-	-	-	-	-	-	-	-	-	-	-	-	-	-	-	-	-	-	-	-	-	•
<b>288</b>	•	•	•	•	•	•	•	•	•	•	•	•	•	•	•	•	•	•	•	•	•	•	•	•	•
<b>288YA46</b>	•	•	•	•	•	•	•	•	•	•	•	•	•	•	•	•	•	•	•	•	•	•	•	•	•

